

Vanities, Duct panelling and Accessories

Vanities

Durable and flexible, laminate vanity units come in a choice of styles and 36 colours

Duct panelling

Versatile and practical, close-fitting and tailor made, our ducting creates the perfect finish to any washroom

Accessories

Practical and attractive, a wide range of products to complete every washroom

Framing

Made to measure, high quality framing for fast installation.

For more information or to view our full range of Vanities, Duct Panelling, Accessories and Framing, visit our website [▶](#)



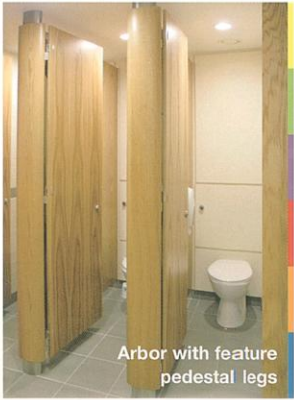
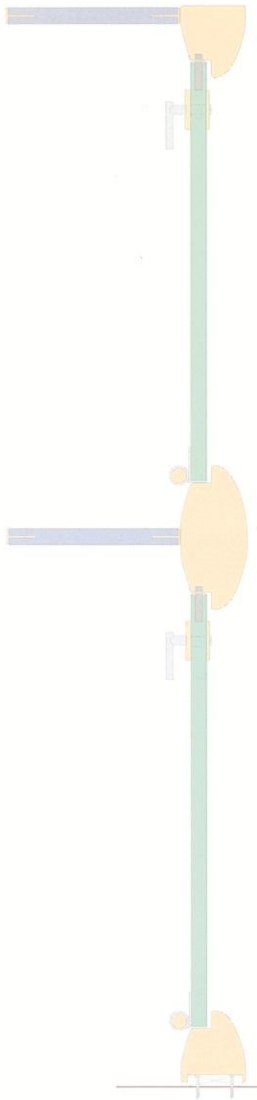
Ducting



Solid grade laminate



High pressure laminate



Arbor with feature pedestal legs

door furniture and fittings



Indicator bolt
 Modern circular stainless steel face plate, with external emergency release facility.
 The locking mechanism is operated with a simple DDA compliant lever.



Hinges
HPL, wood veneer, SGL and acrylic doors are hung with pivot hinges in a stainless steel finish. One hinge is sprung to return door to open or closed position.
Glass doors are hung using specialised hinges which return to closed from balanced position.



Headrail
 Rectangular stainless steel section fixed between pilasters for lateral stability.



Panel fixings
HPL and wood veneer divisions are fixed using continuous concealed 'T' sections secured with polished snake eye fixings.
SGL, acrylic and glass divisions are fixed with polished stainless steel channel brackets.

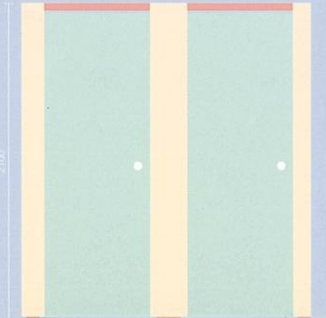


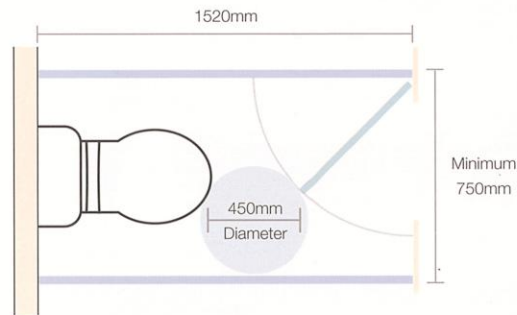
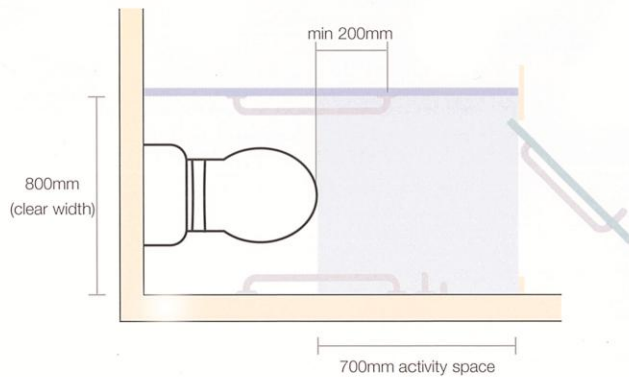
Coat hook
 Stainless steel coat hook with integrated door buffer and concealed fixings.

Wood veneers
 The Arbor pilaster can be manufactured using most popular veneers and hardwood species. Please note however that should matching veneers be selected for the door panels, book matched pilasters can not be provided.

Colours
 Arbor door/division panels are available in an extensive range of colours and patterns depending on the materials selected. Please refer to the relevant colour selector for details.

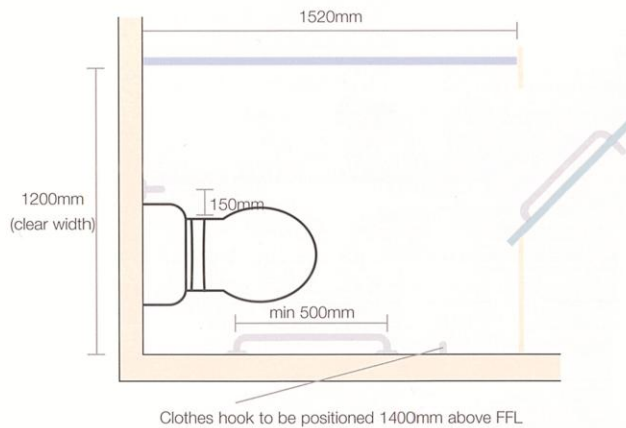
Standard dimensions
 In addition to the dimensions detailed below Arbor cubicles may be supplied up to a maximum overall height of 2400mm.
 Should solid grade laminate be chosen for either doors/divisions then the overall height and ground clearance will be modified to suit economical material usage. Please contact the technical department for details.





To achieve the minimum 450mm manoeuvring space an overall cubicle depth of 1520mm is recommended. In instances where room layout does not permit this and outward opening doors are not an option, pilaster and door sizes can usually be adjusted to maintain the required activity space.

In these instances setting out information can normally be provided on receipt of full WC pan information and room dimensions.



Ambulant disabled

At least one cubicle per separate sex washroom area must be of 'ambulant disabled' configuration.

If there is only one cubicle, then this must be of ambulant type.

In addition to the **corporate** furniture provided, horizontal grabrails and inner pull handles must be incorporated within the cubicle.

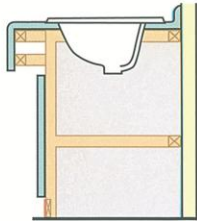
Access requirements

Normal WC compartments with inward opening doors are also required to have a minimum manoeuvring space.

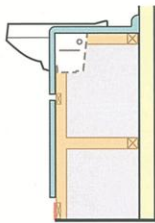
This is described as a 450mm diameter circle which is to be maintained between the swing of the door, the WC pan and the side wall of the compartment.

Enlarged cubicles

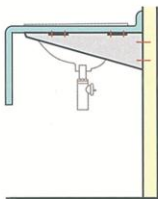
If there are more than 3 cubicles in a single sex washroom area, then in addition to the 'Ambulant' cubicle, an 'Enlarged' cubicle must also be provided.



Full width vanity tops permit greater scope in design, and allow additional items such as integral soap dispensers to be incorporated without cluttering the appearance.



Semi recessed tops are ideal for when space is limited or simply for a minimal appearance. This style allows the use of cantilever type wash hand basins.



Vanity tops can either be supported on a site assembled **timber framework** or on attractive powder coated aluminium/ stainless steel **cantilever brackets**.

surfacing materials



High pressure laminate

Flexible and economical, vanity tops manufactured from HPL are available in an extensive range of colours in single lengths up to 3600mm, subject to site access.

Under-mounted style wash hand basins are not recommended in conjunction with HPL vanity tops.



Corian® - solid surfacing

With over 90 colours to choose from, this warm, tactile and non-porous surfacing can be fabricated in single lengths up to 3600mm, subject to site access.

Solid surfacing can be cut to any shape, bent and joined with inconspicuous seams to produce a perfectly neat and unified appearance, as shown in the main image opposite.



Natural Stone

Granites, slates and marbles are literally millions of years in the making.

Produced as a result of volcanic and sedimentary processes, or a combination of both, no two pieces are ever the same, ideal for unique washroom schemes.



Zodiaq® - engineered stone

Zodiaq is a durable and distinctive material composed almost entirely from quartz - one of the hardest known substances.

Stain resistant and non-porous, sparkling crystals within its surface produce stunning light play and depth, all backed by a 10 year material guarantee.



Glass

Glass adds a luxurious quality to any washroom whilst providing a durable and easily maintained surface.

Scratch resistance and unaffected by almost all cleaning products, glass will stay looking crisp and modern for many years to come.

underpanels

If required underpanels can be supplied in the following materials:

- High pressure laminate bonded to 18mm moisture resistant chipboard core.
- Real wood veneer bonded to 18mm moisture resistant chipboard core.
- 13mm solid grade laminate.
- 12mm cast acrylic.

duct panelling



overview

Available in a choice of melamine faced chipboard, high pressure laminate, solid grade laminate and real wood veneer, duct access panels are made to suit site dimensions.

Unlike standardised modules, this facilitates adjacent sets to be fitted closer together or closer to intersecting walls and cubicle divisions.

As well as being more attractive, close fitting panels make unauthorised access into the concealed service voids considerably more difficult.

applications

Suitable for WCs, urinals and wall hung wash hand basins, the amount and size of the panels in each set are manufactured to your requirements.

When specifying duct configuration due consideration should be given to size and weight of access panels for maintenance purposes in line with your CDM requirements.

Shower panelling is also available manufactured from water resistant solid grade laminate with horizontal edges rebated forming an overlap to prevent direct ingress of water. This detail will require sealing on site by a specialist contractor.

panel fixings

Panels can be mounted to the framework using either concealed 'push fit' or 'lift off' brackets.

Larger panels can be hinged to allow for safer access for maintenance, and budget cylinder lock may also be provided for additional security.

